



Manual
Mini Bluetooth Speaker



Image is an example only
Product number: **EP18123** and **EP18124**

PACKAGE CONTENT

Before attempting to use the device read the instructions carefully and make sure the following objects are included in the packaging:

Pieces	Accessory	Note
1	Speaker with band	integrated battery
1	Micro USB cable	-
1	Manual	-

TECHNISCHE DATEN

Data connection	Bluetooth 4.2
Battery	3.7V/400mAh
Frequency range	20 Hz - 20 KHz
Frequency	UHF
Max. transmission	2.92 mW
THD	<1%
Transmission range	10 m
Run time	3-4 h
Stand-by time	up to 60 h
Charging time	ca. 2,5 h
Card slot	Micro SD card up to 32 GB

USAGE

Step 1: To switch on press the On/Off button until a blue LED starts blinking and a signal can be heard. Now the speaker is automatically in pairing mode. To switch off, press the same button until the LED stops blinking and you hear the signal again. If the speaker is not used and connected to an audio source it switches off automatically.

Step 2: Start the pairing process at your Bluetooth device. The speaker is called

"Q11". Once successfully paired the blue LED will blink slower and a signal tune is played. When switched on again, the speaker will now connect automatically to the last paired device.

Step 3: To pair the speaker to another device, remove it from the list of the current device, switch off the device's Bluetooth, switch off and on the speaker and pair with the new device.

Step 4: When a micro SD is inserted, the speaker changes automatically to card mode. To change mode again double click the On/Off button.

Music player: To play music shortly press the On/Off button or the Play key on your device, the "+" (forward) and "-" (backward). To adjust volume long press "+" (volume up) or "-" (volume down).

Incoming Call: In case of an incoming call a signal tune is heard. To answer shortly press "+". Long pressing "+" will reject the call. To hang up press the On/Off button.

Fernauslöser für Smartphone-Kamera: To use the speaker as remote shutter release for your smartphone camera a Bluetooth connection must be set up. Now switch on the camera of the smartphone and use either the On/Off button or the "+" depending on your smartphone's model. Just try out which button works with your phone.

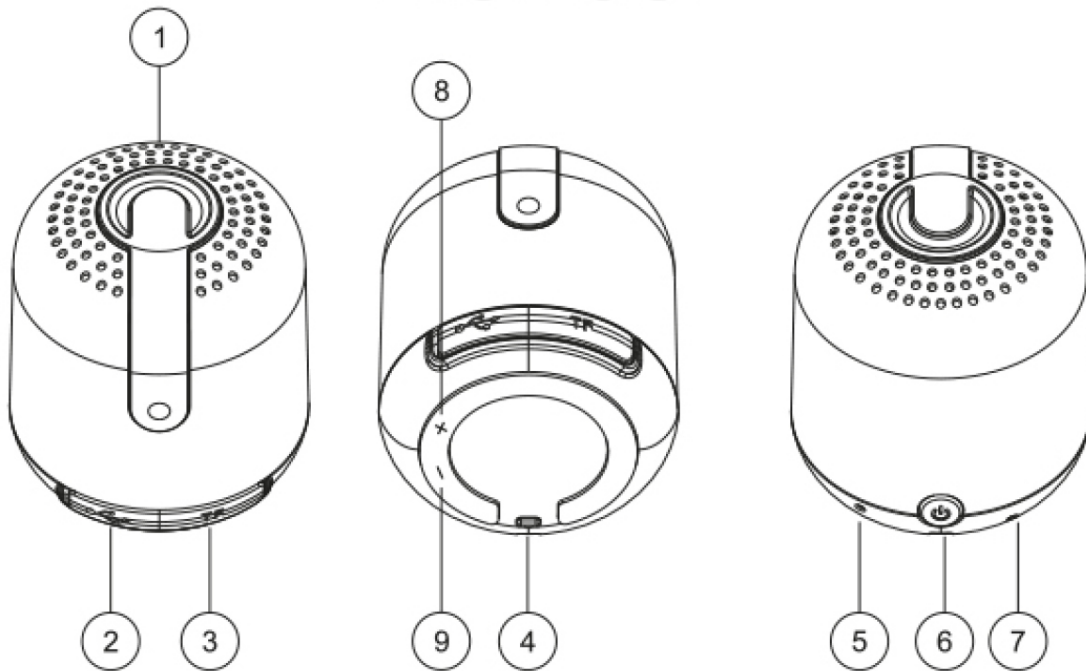
Note: To reset the speaker, take a thin device to use the reset button next to the LED.

CHARGING THE INTEGRATED BATTERY

Charge the speaker with the included micro USB cable. When the battery is low the speaker alerts acoustically. If not charged immediately, it switches off automatically. The LED will stay on while charging. Once it has finished charging, the indicator light will turn off.

NOTE: To charge the speaker fully it must be switched off during the charging progress.

MINI SPEAKER



1. Lautsprecher
2. Mikro-USB-Anschluss
3. Mikro-SD/TF-Kartenslot
4. Loch für Handschleufe
5. LED-/Reset-Knopf
6. An/Aus-Knopf
7. Mikrofon
8. Lauter/Vor
9. Leise/Zurück

1. Speaker
2. Micro USB socket
3. Micro SD/TF card
4. Hole for cord
5. LED/Reset
6. On/Off button
7. Microphone
8. Volume up/Next
9. Volume down/Previous

SAFETY NOTES

For your own safety and for long enjoyment of our product, please follow the following safety instructions:

- Please use device as described in the manual.

- Please keep the device dry and use in dry environment only. Do not touch with wet hands.
- Keep away from damp, high temperature, dusty, erosive and oxidative environment.
- Do not open cover and do not touch inner parts.

DISPOSAL

This device contains materials that must not be disposed of as household waste. Please check local laws concerning the applicable disposal regulations. Protect the environment by participating in recycling programs.

DECLARATION OF CONFORMITY

LEICKE GmbH herewith declares that the devices EP18121 and EP18122 comply with the RED 2014/53/EU and ROHS 2011/65/EC regulations. The declaration of conformity can be found at:

www.leicke.com/de/products/EP18121

www.leicke.com/de/products/EP18122



As the product is very small you will find the serial number on the packaging.

CONTACT

Please contact us in case of questions!

PRODUCTION & DISTRIBUTION

LEICKE GmbH
Dohnanystr. 28
04103 Leipzig
GERMANY

Web: www.leicke.com
Mail: info@leicke.com

